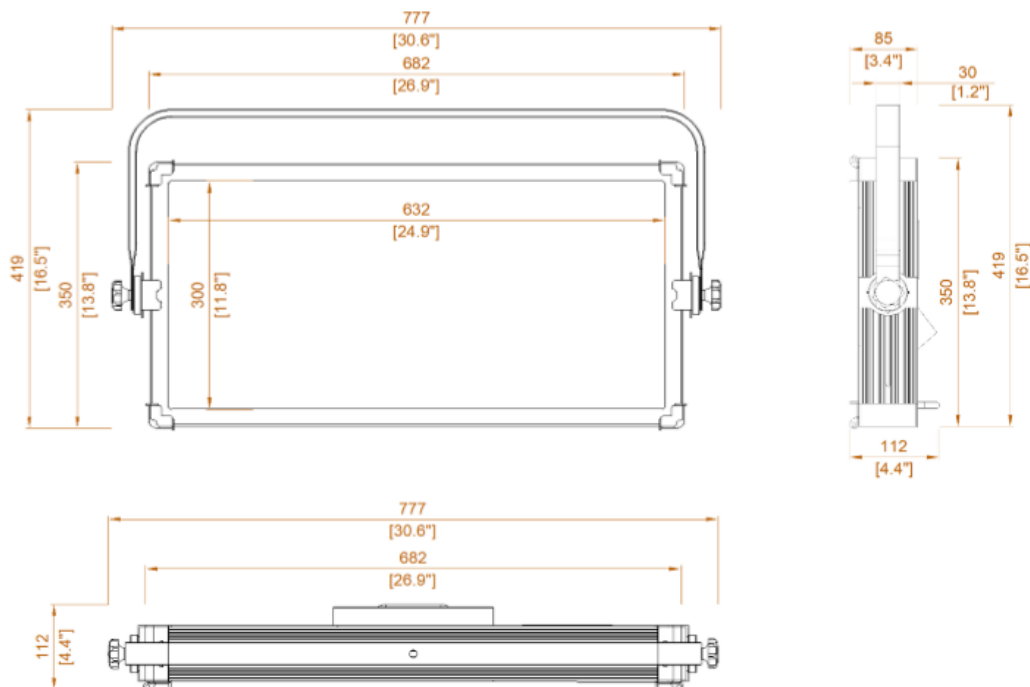




Dimensions (E3060)



E3060 (E8)

Specifications

Power Input Voltage	AC 100 ~ 240V, 50/60Hz
Power Consumption (Max)	300W
LED Chip	0.5W
Beam Angle	135°
Color Temperature	Full 2,900 ~ 6,000K (VCT)
Dimming	0~100% 16-bit
Supported Protocols	DMX512 / DMX512 RDM / Option Wireless DMX512 / Wireless RDM

Specifications

Dimension (mm / inch)	777 x 419 x 112 / 30.6 x 16.5 x 4.4 (WHD)
Weight (kg / lbs)	12 / 26.5

Photometric Data Lux

3m	548
5m	225
7m	122
9m	76