

The **Q5 Color** is a 185W 5" LED Fresnel that generates high-quality RGBW light output. This fixture uses the latest iteration of Fiilex's Dense Matrix LED technology to deliver color quality and optical versatility that are superior to previous generations of LED fresnels. With its wide spot/flood range, smooth dimming to 0%, no flicker, and high CRI, the Q5 Color combines the extensive feature set of top-tier RGBW LEDs with the performance of a tungsten fresnel.



FEATURES

- High-CRI white light output (2000-10000K)
- Additional 8 and 16 bit color modes: RGBW, Effects, HSI, Gel Presets, CCT+RGBW, CCT+HSI, etc.
- 12°-55° spot/flood range with no optical aberrations
- Barndoor cuts clean with no color splitting
- Dims down to 0% without flicker or color shift
- V-mount power supply swaps easily with 26V batteries
- Extremely lightweight (≈ 7 lbs)
- Removable fresnel for wider throw / softbox compatibility
- Smooth and Sharp dimming modes
- Three fan speed modes: Full, Variable, Silent
- IP-24 Rating (water-resistant)

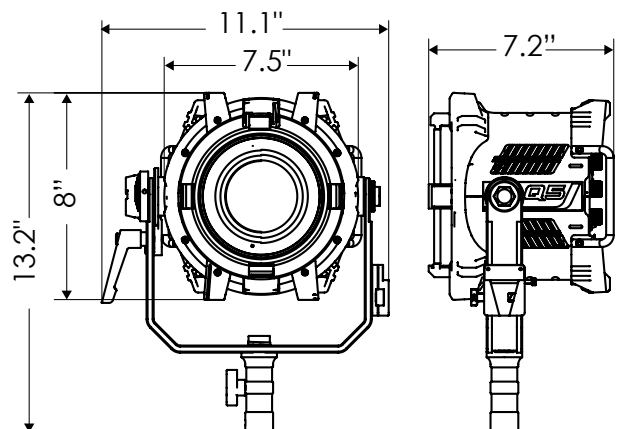
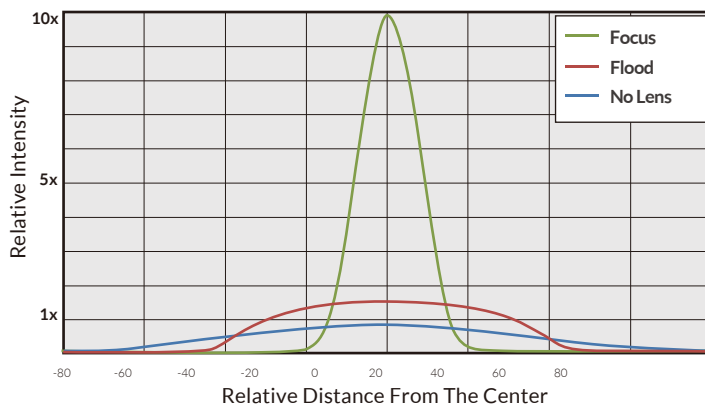
EXCELLENT COLOR RENDERING

CCT	R1	R2	R3	R4	R5	R6	R7	R8	R9	R10	R11	R12	R13	R14	R15	CRI _{Ra} *	CRI _{Ext} *	TLCI
3200K	98	97	87	98	98	95	96	93	89	88	96	81	99	91	96	95	93	90
5600K	97	99	93	98	97	97	99	95	89	94	95	84	98	95	96	97	95	96

Values in this table are typical.

*CRI_{Ra} is the averaged result of R1 to R8; CRI_{Ext} is the averaged value of R1 to R15.

BEAM PROFILE



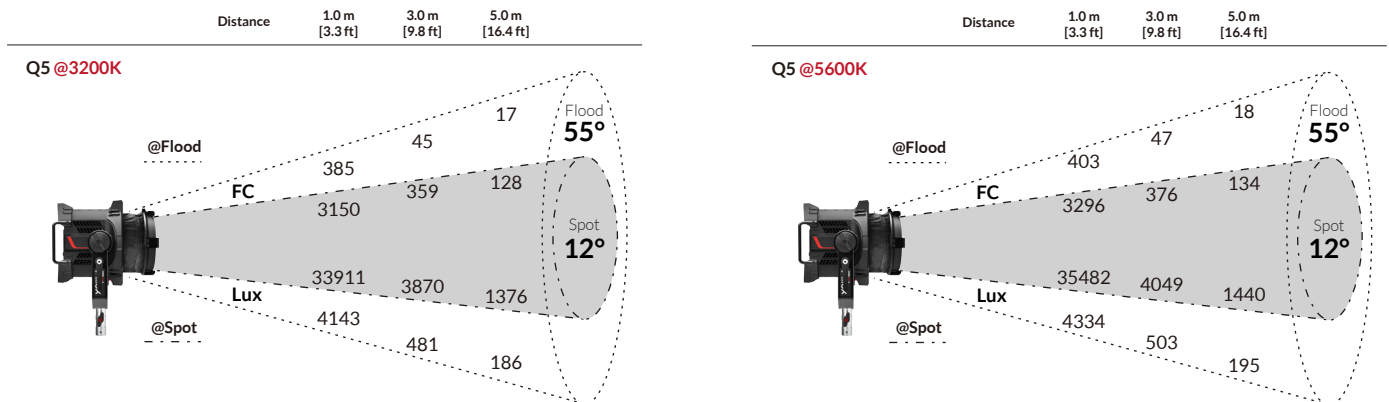
200602A1

Fiilex **Q5** *COLOR* Cinematic LED Fresnel Light

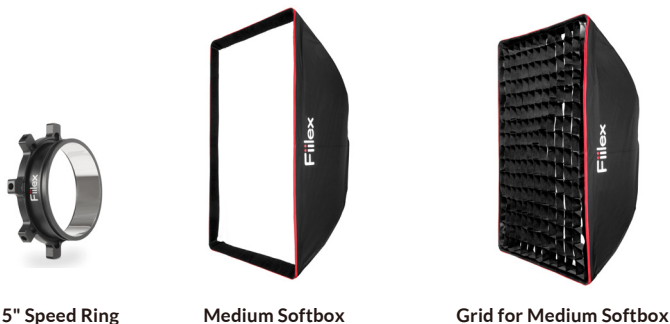
SPECIFICATIONS

Fresnel Diameter	5"
Beam Angle	12°-55° with Fresnel (80° without fresnel)
CCT Range	2000-10000K continuous tuning + magenta/green shift
CRI	95 typical
Control Modes	RGBW, CCT, HSI, Gel Presets, Effects, CCT + RGBW, CCT + HSI, CIE xy
Dimming	100 - 0%
Dimming Modes	Smooth, Sharp
Light Engine	1x 165W DiCon Dense Matrix LED
Power Consumption	185W AC 165W DC
DC Input	24-48V DC
AC Input	100-240V AC, 50-60Hz
Power Port	XLR-3
DMX Port	XLR-5
Weight	Fixture: 7.3lbs / 3.3kg Power Supply: 2.6lbs / 1.2kg
Dimensions	11.1" x 7.2" x 13.2" / 28.3cm x 18.2cm x 33.6cm
Mount Type	Combo (baby stud female / junior stud male)
IP Rating	IP-24 (water-resistant)
Thermal Design	Aluminum extrusion cooling system w/ fan
Operating Temperature	32 - 104°F / 0 - 40°C

PHOTOMETRIC DATA



OPTIONAL ACCESSORIES



5" Speed Ring

Medium Softbox

Grid for Medium Softbox

200602A1